

3dB 90° 180° Hybrid

Model: MHC9-020180



Microot Microwave co., Ltd.

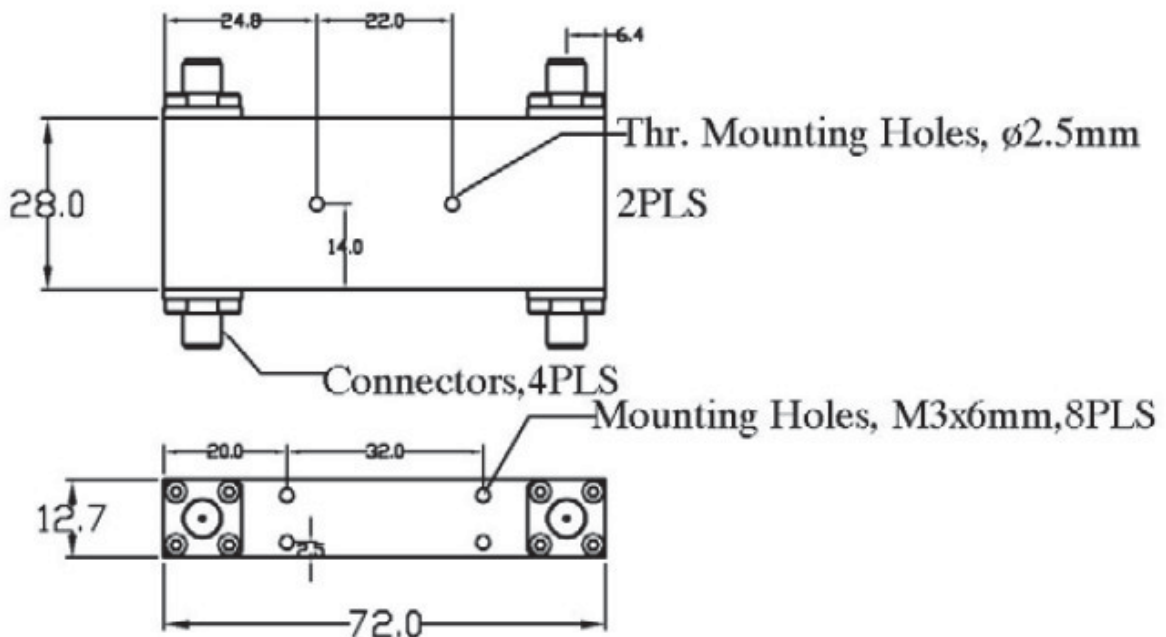
90deg Hybrid Coupler



Features

- 1. 0.7-40GHz Ultra-wide Operating Frequency Band Coverage
- 2. Low VSWR, High Isolation,
- 4. Good Phase Balance

Outline Drawing Unit: mm



Elec. Spec. "50 Ω "

[Inquiry](#)

Freq. Range (GHz)	2-18
Insertion Loss (dB) Max	1.3
Isolator (dB) Min	17
VSWR Max	1.35
Amp. Bal. (dB) Max	\pm 0.4
Phase Bal. (dB) Max	\pm 7
CW Power (W) Max	20
Peak Power(KW) Max	3
Connector	SMA-Female
Operating Temp.($^{\circ}$ C)	-40~+70
Storage Temp.($^{\circ}$ C)	-55~+85
Weight (g) Max	N/A