

# 3dB 90° 180° Hybrid

Model: MHC8-007180



Microot Microwave co., Ltd.

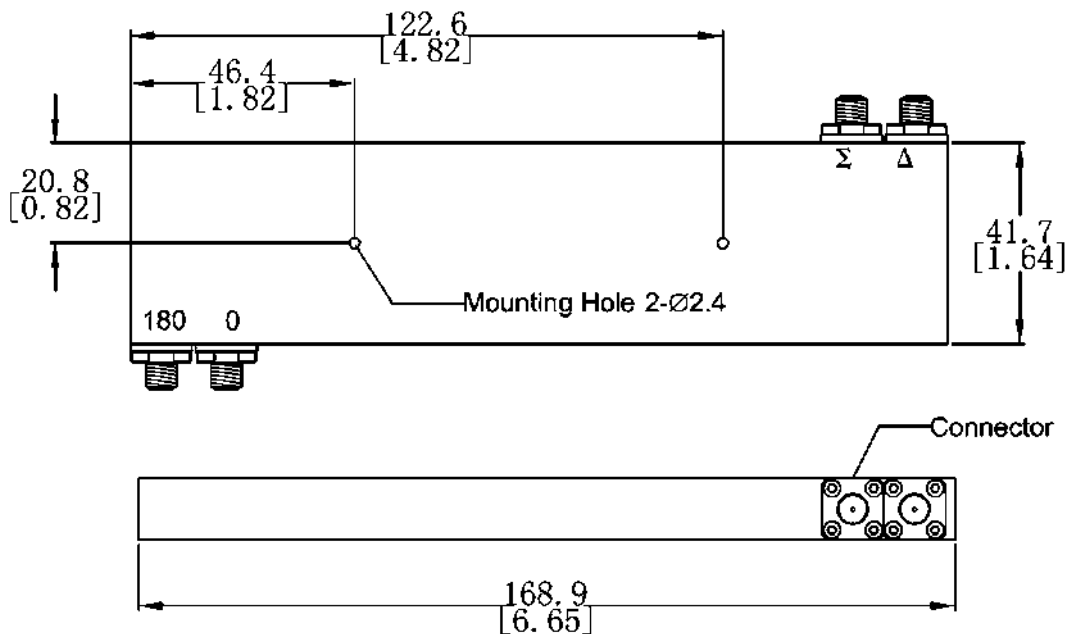
## 180deg Hybrid Coupler



### Features

- 1. 0.7-40GHz Ultra-wide Operating Frequency Band Coverage
- 2. Low VSWR, High Isolation,
- 4. Good Phase Balance

### OutlineDrawing Unit: mm



### Elec. Spec. "50Ω"

[Inquiry](#)

Freq. Range (GHz)	0.75-18
Insertion Loss (dB) Max	4.6
Isolator (dB) Min	20
VSWR Max	1.6
Amp. Bal. ( dB) Max	±0.6
Phase Bal. ( dB) Max	±10
CW Power (W) Max	20
Peak Power(KW) Max	3
Connector	SMA-Female
Operating Temp.(°C)	-35~+105
Storage Temp.(°C)	-55~+125
Weight (g) Max	N/A