

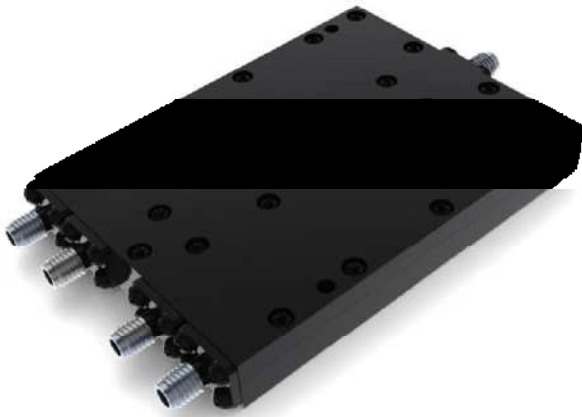
# Power Divider / Combiner

Model: MPD4-100400



Microot Microwave co., Ltd.

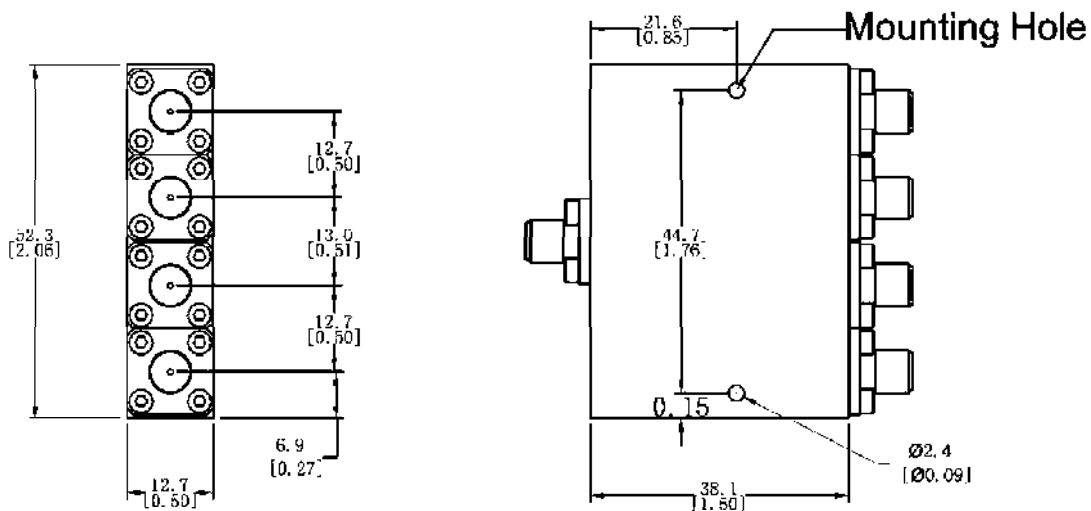
## 4-Way Power Divider



### Features

- 1.Theoretical Insertion Loss not included in the Insertion Loss Parameter.
2. Multi-Octave bandwidth of working frequency range.
3. Superior phase balance and amplitude balance between any 2 ports.
4. Low VSWR and high Output Isolation.

### Outline Drawing Unit: mm



### Elec. Spec. "50Ω"

[Inquiry](#)

|                         |          |
|-------------------------|----------|
| Freq. Range (GHz)       | 10-40    |
| Input VSWR Max          | 1.65     |
| Output VSWR Max         | 1.65     |
| Insertion Loss (dB) Max | 2.5      |
| Amp. Bal. (dB) Max      | ±0.5     |
| Pha. Bal. (deg) Max     | ±4       |
| Isolation (dB) Min      | 16       |
| CW Power (W) Max        | 20       |
| Peak Power (KW) Max     | 3        |
| Connector               | 2.92mm-F |
| Operating Temp. (°C)    | -35~+105 |
| Storage Temp. (°C)      | -55~+125 |