

Low Noise Amplifier (Millimeter-wave)



Model: MLA023026-20

Microot Microwave co., Ltd.

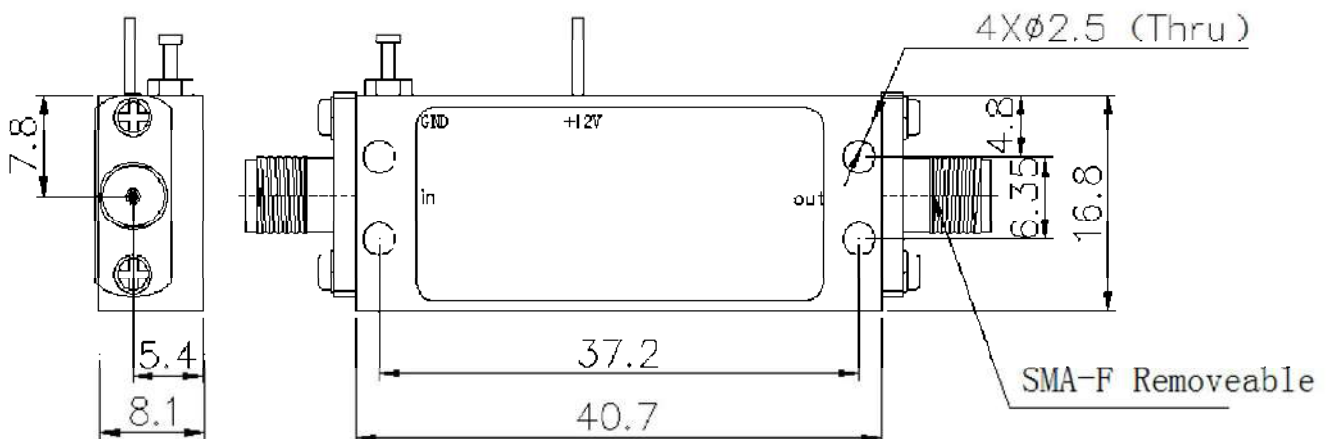
Low Noise Amplifier



Features

1. Input power exceeding 20dBm may cause permanent damage.
- 2 . Operating voltage : +12V or +5V .
- 3 . These devices sensitive to electrostatic discharge (ESD) and can be damaged by static electricity. Proper ESD control techniques should used when handling these devices.

Outline Drawing Unit: mm



Elec. Spec. "50Ω"

[Inquiry](#)

Freq. Range (GHz)	2.3-2.6
NF. (dB) Max	2.5
Gain (dB) Min	40
Gain Fla. (dB) Max	±2.5
P-1 (dBm) Min	20
IP3 (dBm) Min	20
VSWR Max	2
Power Supply (Typ)	+12V
Connectors	SMA-Female
Oper. Temp. (°C)	-20~+70
Stor. Temp.(°C)	-55~+85