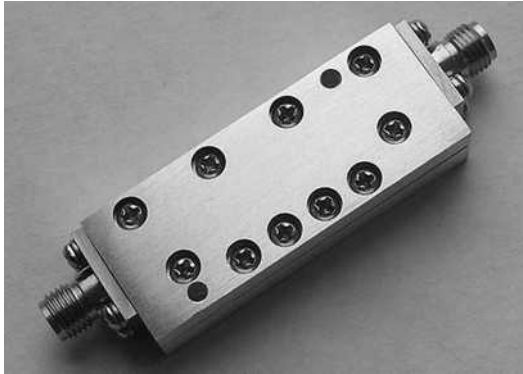


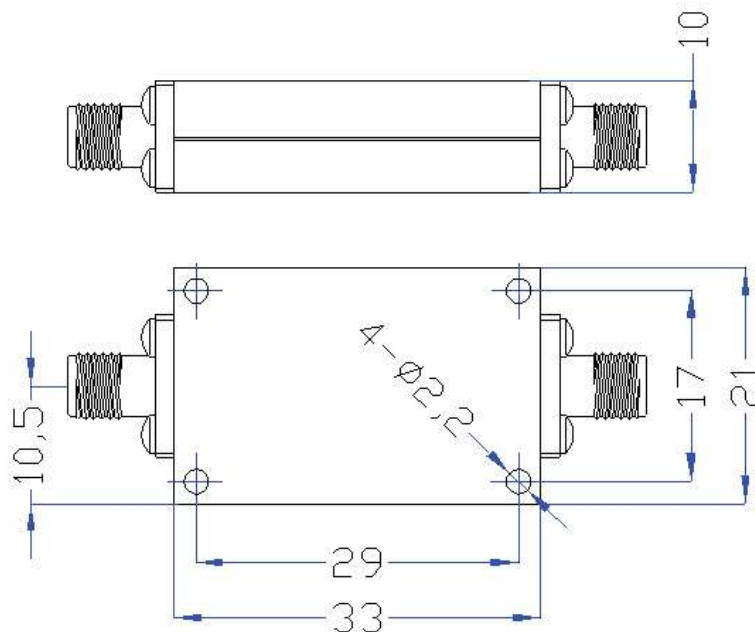
**Low Pass Filter**



**Features**

- 1.Theoretical Insertion Loss not included in the Insertion Loss Parameter.
2. Multi-Octave bandwidth of working frequency range.
3. Superior phase balance and amplitude balance between any 2 ports.
4. Low VSWR and high Directivity.

**Outline Drawing Unit: mm**



**Elec. Spec. "50Ω"**

[Inquiry](#)

Freq. Range (GHz)	DC-7.2
3dB Cut off (GHz)	8
Insertion Loss(dB)	1.0
VSWR	2.0
Power Handling (w)	15
Connectors	SMA-Female
Surface Finish	Black Paint
Operating Temp.(°C)	-30-+70°C

**Rejection**

≥45dB @ 9.2 ~ 16 GHz