

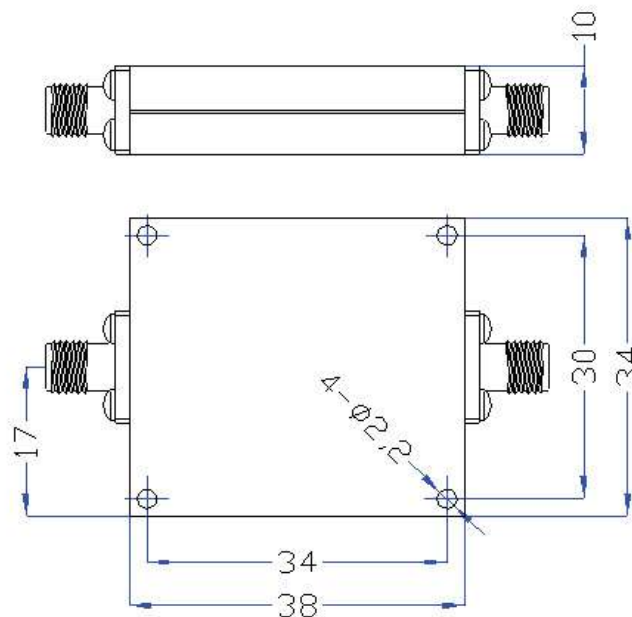
**High Pass Filter**



**Features**

- 1.Theoretical Insertion Loss not included in the Insertion Loss Parameter.
- 2. Multi-Octave bandwidth of working frequency range.
- 3. Superior phase balance and amplitude balance between any 2 ports.
- 4. Low VSWR and high Directivity.

**Outline Drawing Unit: mm**



**Elec. Spec. "50Ω"**

[Inquiry](#)

Freq. Range (GHz)	2.2-12
3dB Cut off (GHz)	2.0
Insertion Loss(dB)	1.0
VSWR	2.0
Power Handling (w)	15
Connectors	SMA-Female
Surface Finish	Black Paint
Operating Temp.(°C)	-30-+70°C

**Rejection**

≥45dB @ DC ~ 1.7GHz